

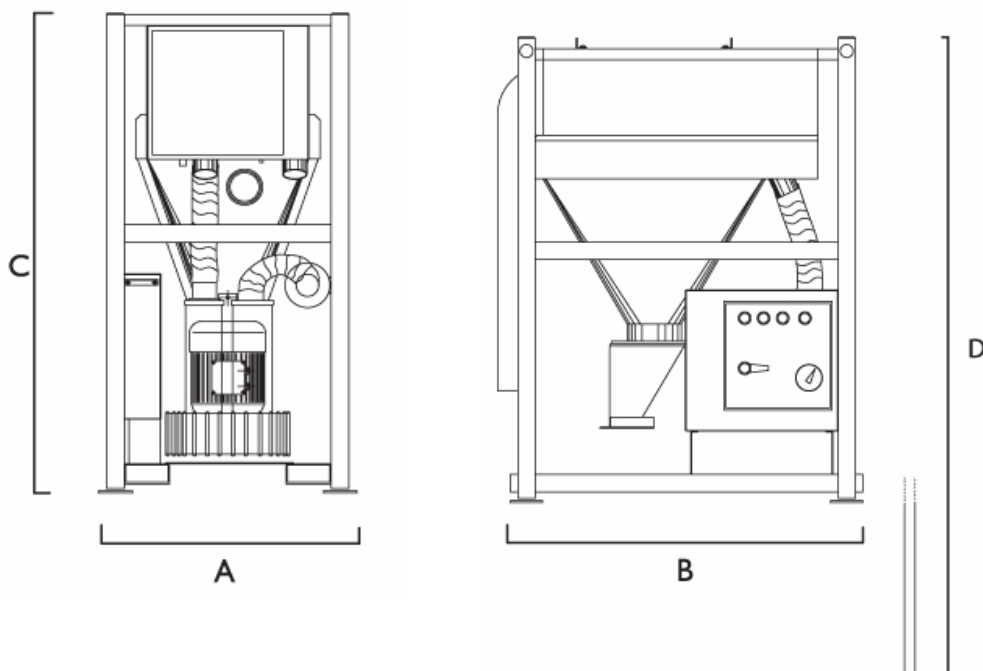


Industrial Vacuum Recovery Equipment RCBF

Racohi RCBF suction units are specifically designed for blasting/painting operations in ship and repair yards, steel structure construction, tank cleaning, etc. The compact and rigid design of our powerful vacuum units are the optimal choice for the cleaning up and recovery of all kind of blasting grit.

RCBF-I

Compact vacuum unit based on side channel blowers from 5,5 to 23 Kw. 5 m² filter surface equipped with ATM or pulse filter cleaning (Jet). Adjustable legs give space for a suitable discharging container or big-bag



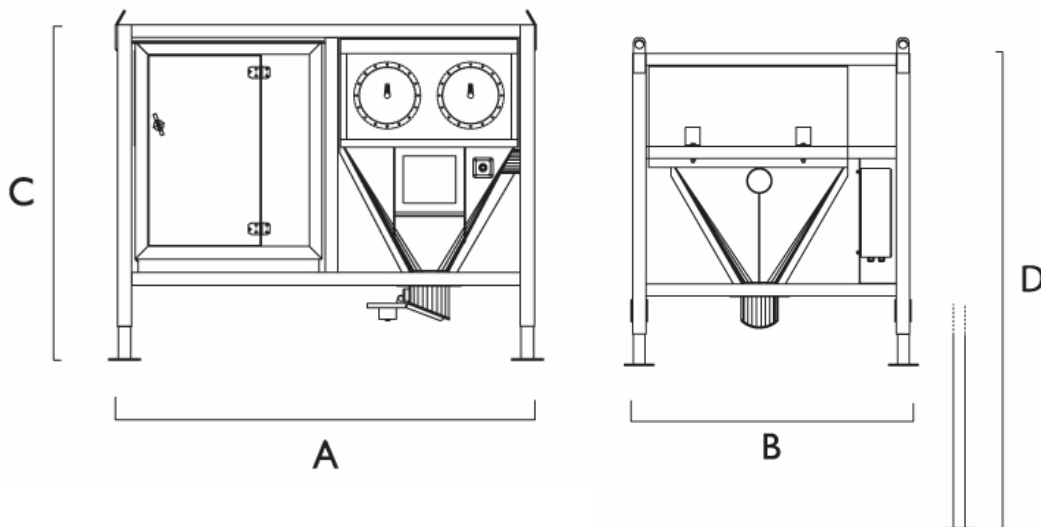
Model		RCBF-I/5.5	RCBF-I/13	RCBF-I/18
Dimension (mm)	A	1630	1630	1630
	B	1150	1150	1150
	C	2145	2145	2145
	D	3145	3145	3145
Weight (kg, aprox.)		668	730	820
Max. Vacuum (mbar)		300	310	410
Air volume (m³/h at 100 mbar)		535	1050	1100
Electric motor (Kw)		5,5	13	17.8
Voltage, frequency, V/Hz		400 / 50	400 / 50	400 / 50
Filter surface (m²)		5	5	5
Noise level, (dB(A), at 1 m distance)		75	75	75
Hose pipe connection (Ø mm)		108	108	108

Optional with Pre-separator RO/ROC: container and cyclone type for handling by forklift, front loader, ro-ro or ship truck. Available with bin volumes from 0,2 to 30 m³.



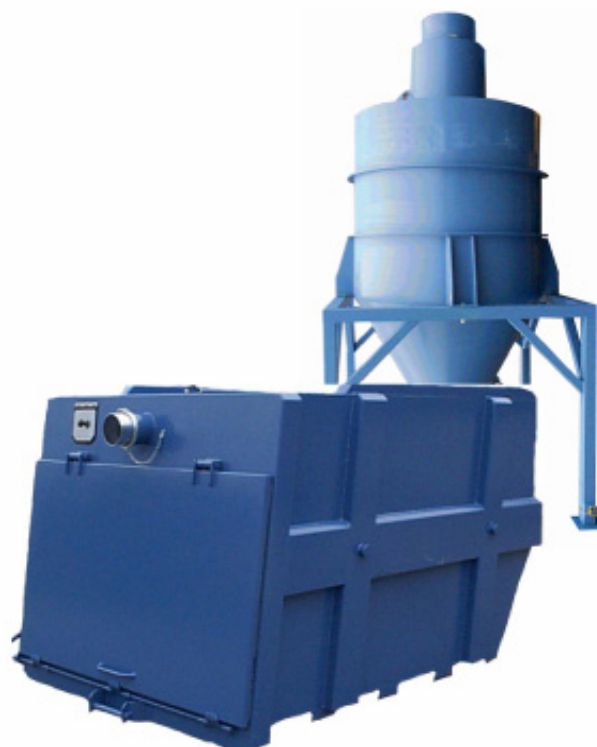
RCBF-II

Roots blower based vacuum unit with power from 30 to 75 kw. 15 m² filter surface equipped with ATM or pulse filter cleaning (Jet). Adjustable legs give space for a suitable discharging container or big-bag. Also available with Diesel engine (RDBF).



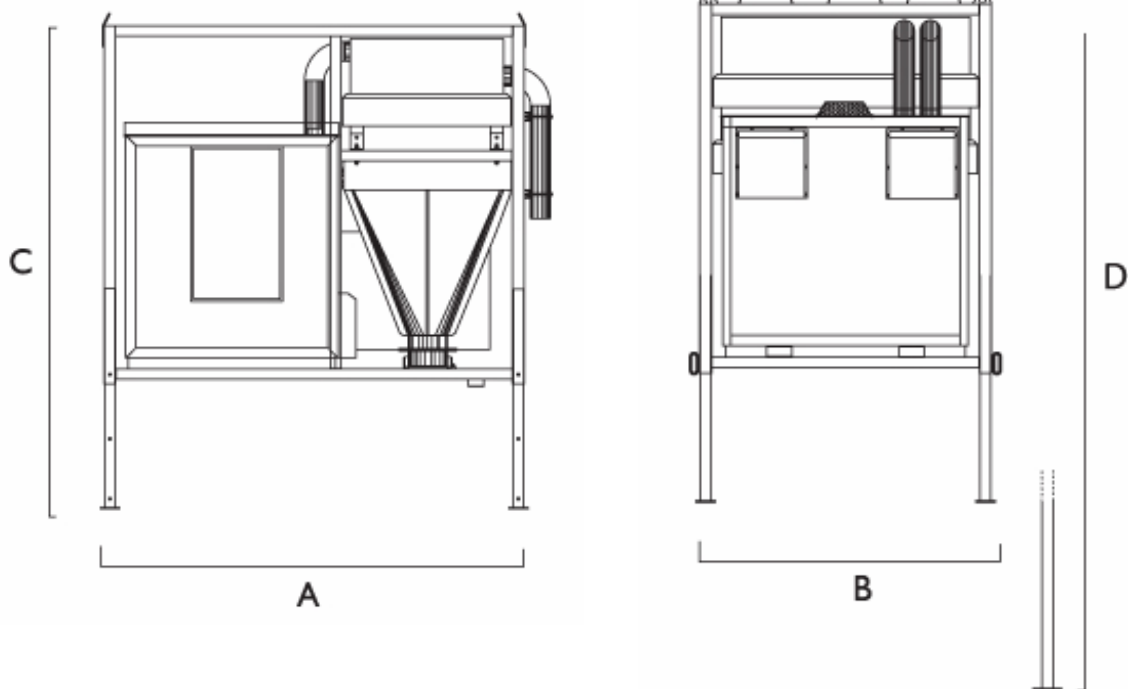
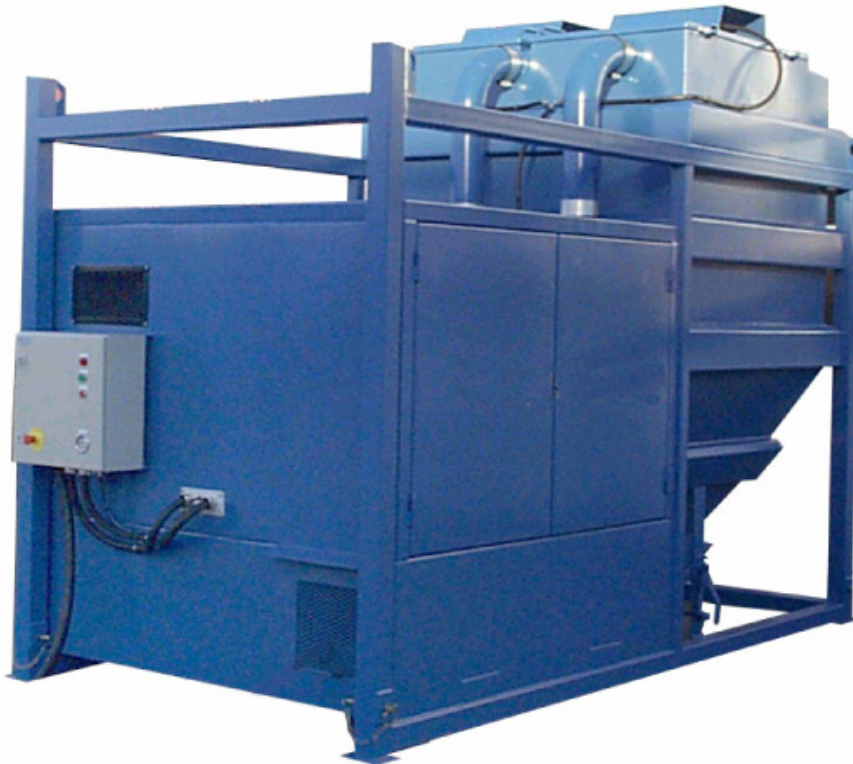
Model		RCBF-II/30	RCBF-II/37	RCBF-II/45	RCBF-II/55	RCBF-II/75
Dimensions (mm)	A	3250	3250	3250	3250	3250
	B	1910	1910	1910	1910	1910
	C	2580	2580	2580	2580	2580
	D	3730	3730	3730	3730	3730
Weight (kg, aprox.)		2600	2640	2675	2750	2800
Max. Vacuum (mbar.)		500	500	500	500	500
Air volume (m ³ /h at 100 mbar)		1900	2220	2640	2900	3540
Electric motor (Kw)		30	37	45	55	75
Voltage, frequency, V/Hz		400 / 50	400 / 50	400 / 50	400 / 50	400 / 50
Principal filter surface (m ²)		15	15	15	15	15
Safety filter surface (m ²)		10	10	10	10	10
Noise level, (dB(A), at 5 m distance)		65	67	67	70	65
Hose pipe connection (Ø mm)		152	152	152	152	152

Optional with Pre-separator RO/ROC: container and cyclone type for handling by forklift, front loader, ro-ro or skip truck. Available with bin volumes from 0,2 to 30 m³.



RCBF-III

Powerful roots blower based vacuum unit with power from 55 kw to 110 Kw. 30 m² filter surface equipped with ATM or pulse filter cleaning (Jet). Adjustable legs give space for a suitable discharging container or big-bag. Also available with Diesel engine (RDBF).



Model		RCBF-III/55	RCBF-III/75	RCBF-III/90	RCBF-III/110
Dimensions (mm)	A	3270	3270	3270	3270
	B	2200	2200	2200	2200
	C	2830	2830	2830	2830
	D	3830	3830	3830	3830
Weight (kg, aprox.)		4450	4600	4850	5100
Max. Vacuum (mbar.)		500	500	500	500
Air volumen (m ³ /h at 100 mbar)		3120	4200	5100	6600
Electric motor (Kw)		55	75	90	110
Voltage, frecuency, V/Hz		400 / 50	400 / 50	400 / 50	400 / 50
Principal filter surface (m ²)		30	30	30	30
Safety filter surface (m ²)		20	20	20	20
Noise level, (dB(A), at 5 m distance)		70	71	72	74
Hose pipe connection (Ø mm.)		203	203	203	203

Optional with Pre-separator RO/ROC: container and cyclone type for handling by forklift, front loader, ro-ro or skip truck. Available with bin volumes from 0,2 to 30 m³.



Questionnaire

1. Type of industry: _____

2. Material to be transported/ collected: _____

3. Composition of the material to be collected:

Solids: _____

Slurry: _____

Liquids: _____

Others: _____

4. Bulk density: _____

5. Required collection capacity: _____

6. Highest temperature of material to be collected: _____

7. Maximum/ minimum moist content: _____

8. Particle sizes (mm) _____

9. Maximum distance from the base unit to pick up: _____

Horizontal: _____

Vertical: _____

10. Maximum distance from the base unit to disposal site: _____

11. Execution: stationary/ suitable for transport by truck/ trailer mounted, etc.: _____

Other relevant information including if possible a drawing of the circumstances under which the unit is to be used.

Products & services

Blasting Equipments
 Nozzles & nozzle holders
 Hoses & couplings
 Lighting systems
 Wet blasting
 Blasting without dust – Vacuumblast
 Waterjetting system
 Vacuum recovery equipments
 Dust collectors
 Dehumidifiers
 Blasting cabinets
 Internal pipe blasting equipments

Airless painting equipments
 Paint hoses & couplings
 Dual component systems
 Internal pipe coating
 Low pressure painting equipments
 Personal protection
 Measurement instruments

Contact:

Couto Maquinaria S.L.
 P.I. Mora Garay
 C/ Marie Curie 68
 32211, Gijón
 Principado de Asturias
 Spain

Telf: (+34) 985308465/6

Fax: (+34) 985324630

info@coutomaquinaria.com

www.coutomaquinaria.com

