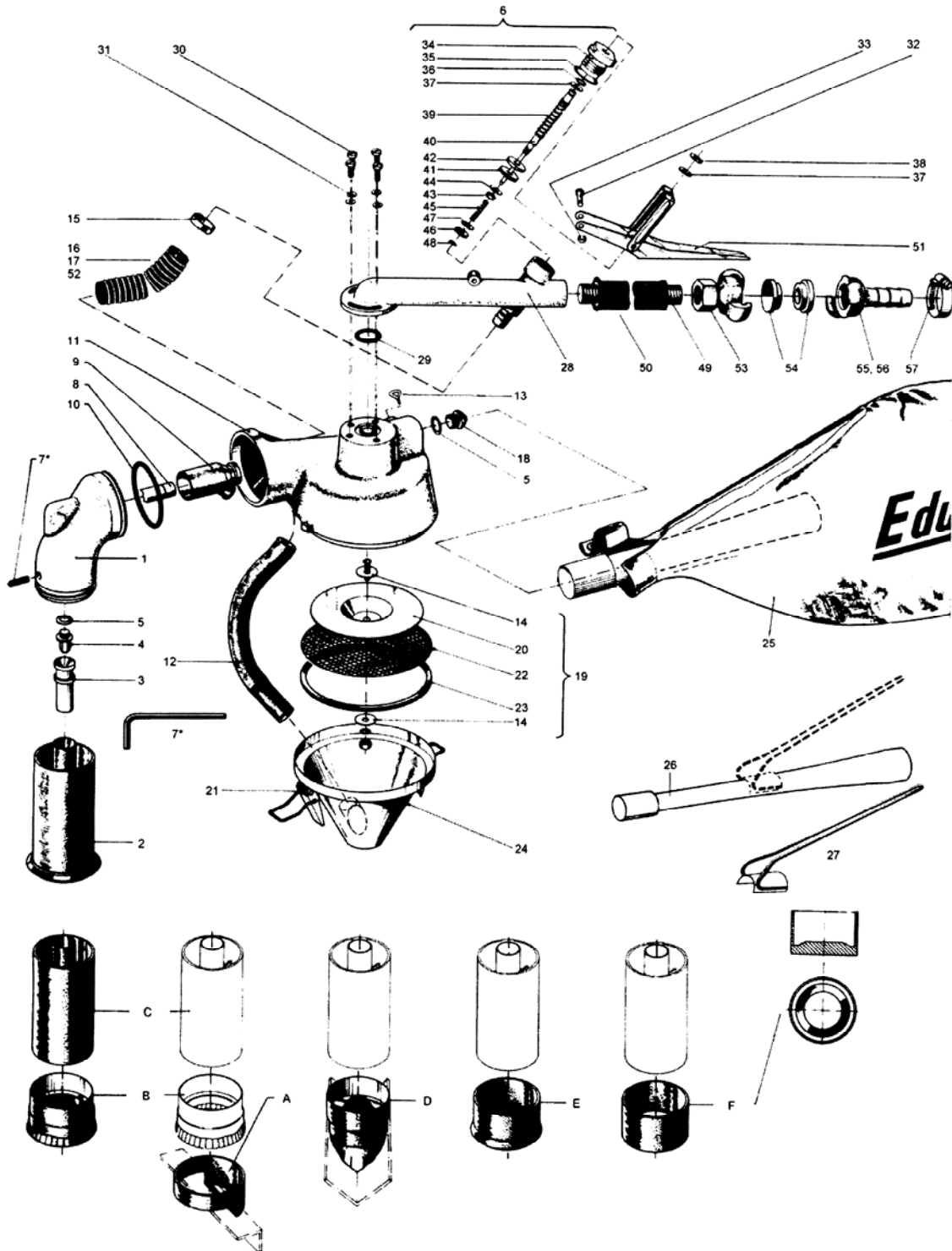


EDUCT-O-MATIC (04993)



REF. COUTO	PART NO.	DESCRIPTION OF SEPARATE ATTACHMENTS	QTY.
04950	A	Edge attachment	1
04951	B-1	Serrated attachment	1
04952	B-2	Round brush (not shown)	1
04953	C	Master adaptor	1
04954	D-1	Angle attachment	1
04955	D-2	Angle brush (not shown)	1
04956	E	Flat lip attachment	1
04957	F	Blank End	1
REF. COUTO	PART NO.	DESCRIPTION OF SPARE PARTS	QTY.
04958	1	Blast head	1
04959	2	Standard adaptor	1
04960	3	3/8" nozzle - Tungsten Carbide	1
04961	4	Blast jet	1
04962	5	Jet gasket	1
04963	6	Valve assembly	1
04964	7	Thumb screw	1
04965	8	Blast head nipple 3/8" x 4 1/4"	1
04966	9	Swivel connector	1
04967	10	O-ring	1
04968	11	Main body	1
04969	12	Abrasive hose	1
04970	13	Thumb screw	1
04971	14	◇ Baffle washer	1
04972	15	Hose clamp	1
04973	16	Air hose	1
04974	17	Spring for air hose	1
04975	18	Suction jet	1
04976	19	Screen assembly	1
05199	20	◇ Baffle (plastic only)	1
04977	21	Locking device	1
05200	22	◇ Screen	1
05201	23	◇ Screen gasket	1
04978	24	Abrasive container with lock and hose	1
04979	25	Dust bag	1
04980	26	Ejector pipe	1
04981	27	Dust bag holder	1
04982	28	Valve body	1
04983	29	O-ring	1
04984	30	Screw	1
04985	31	Washer	1
04986	32	Handle pin	1
04987	33	Snap ring	1
05202	34	● Valve bushing	1
05203	35	● Valve bushing gasket	1
05204	36	● O-ring (neoprene)	1
05205	37	● Washer	1
05206	38	Snap ring	1
05207	39	● Primary valve spring	1
05208	40	● Valve stem	1
05209	41	● Primary valve seat	1
05210	42	● Guide washer brass	1
05211	43	● Hex nut	1
05212	44	● Washer brass	1
05213	45	● Second valve spring	1
05214	46	● Second valve seat	1
05215	47	● Washer - brass	1
05216	48	● Snap ring	1
04988	49	Pipe nipple	1
04989	50	Rubber tube	1
04990	51	Valve handle assembly	1
04991	52	Swivel nut assembly	1
04994	53	Coupling with inside thread	1
04995	54	Gasket	1
04996	55	Coupling with hose barb, 3/4" ID	1
04997	56	Coupling with hose barb, 1/2" ID	1
04998	57	Hose clamp	1
04992	58	Plywood carry case (not shown)	1

◇ Only available in Screen assembly 04976, part no.19
● Only available in Valve assembly 04963, part no. 6

Each equipment (04993) only includes Master adaptor, excluding brushes, hose and carry case.